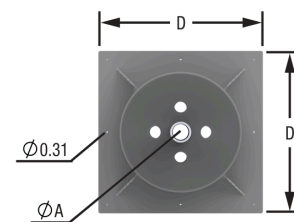
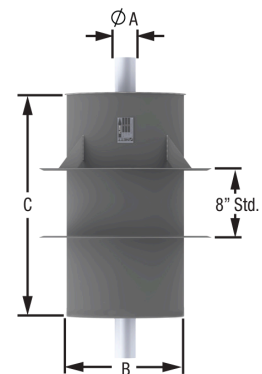
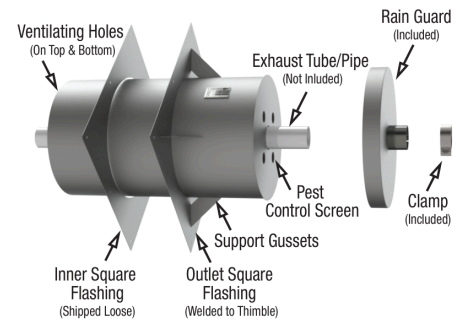


Thimbles

Combustible Wall Thimbles

Combustible Wall Thimbles						
Mild Steel Part Numbers	Stainless Steel Part Numbers	Pipe/Tube Size	A (Pipe/Tube OD)	B (Width)	C (Height)	D (Square Flashing Size)
TH-WLCB-01000-08000	TH-WSCB-01000-08000	1" Tube	1	14	26	20
TH-WLCB-01315-08000	TH-WSCB-01315-08000	1" Pipe	1.315	14	26	20
TH-WLCB-01500-08000	TH-WSCB-01500-08000	1.5" Tube	1.5	14	26	20
TH-WLCB-02000-08000	TH-WSCB-02000-08000	2" Tube	2	14	26	20
TH-WLCB-02375-08000	TH-WSCB-02375-08000	2" Pipe	2.375	16	26	22
TH-WLCB-02500-08000	TH-WSCB-02500-08000	2.5" Tube	2.5	16	26	22
TH-WLCB-02875-08000	TH-WSCB-02875-08000	2.5" Pipe	2.875	16	26	22
TH-WLCB-03000-08000	TH-WSCB-03000-08000	3" Tube	3	16	26	22
TH-WLCB-03500-08000	TH-WSCB-03500-08000	3" Pipe	3.5	16	26	22
TH-WLCB-04000-08000	TH-WSCB-04000-08000	4" Tube	4	16	26	22
TH-WLCB-04500-08000	TH-WSCB-04500-08000	4" Pipe	4.5	18	26	24
TH-WLCB-05000-08000	TH-WSCB-05000-08000	5" Tube	5	18	26	24
TH-WLCB-05625-08000	TH-WSCB-05625-08000	5" Pipe	5.625	18	26	24
TH-WLCB-06000-08000	TH-WSCB-06000-08000	6" Tube	6	18	26	24
TH-WLCB-06625-08000	TH-WSCB-06625-08000	6" Pipe	6.625	20	26	26
TH-WLCB-08000-08000	TH-WSCB-08000-08000	8" Tube	8	20	26	26
TH-WLCB-08625-08000	TH-WSCB-08625-08000	8" Pipe	8.625	22	26	28
TH-WLCB-10000-08000	TH-WSCB-10000-08000	10" Tube	10	22	26	28
TH-WLCB-10750-08000	TH-WSCB-10750-08000	10" Pipe	10.75	24	26	30
TH-WLCB-12000-08000	TH-WSCB-12000-08000	12" Tube	12	24	26	30
TH-WLCB-12750-08000	TH-WSCB-12750-08000	12" Pipe	12.75	26	26	32
TH-WLCB-14000-08000	TH-WSCB-14000-08000	14" Tube	14	26	26	32
TH-WLCB-16000-08000	TH-WSCB-16000-08000	16" Tube	16	28	26	34
TH-WLCB-18000-08000	TH-WSCB-18000-08000	18" Tube	18	30	26	36

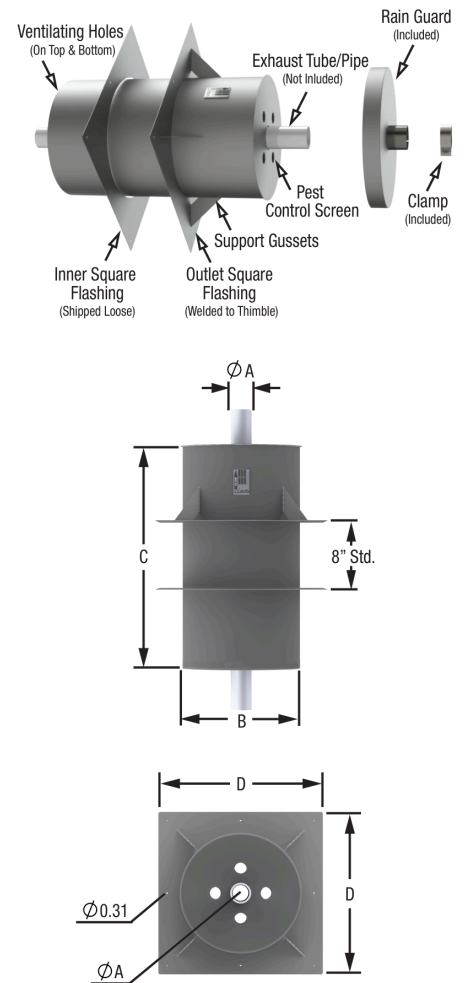


- Select Thimble size based on the material Sch 40 pipe or OD Tubing. All dimensions are in inches.
- When calculating height, thimble must have a 9" clearance on each side of the wall. To prevent warping, outer flashing is not continuously welded.
- Conforms to NFPA 37 and 110, for exhaust gas temperatures below 760° C (1400° F). The above thimbles have been sized for standard (8") thickness walls. Thimbles for other wall thicknesses are available upon request.
- Confirmation of roof pitch is required for all orders. Non-flat roof applications may incur additional charges.
- All thimbles are insulated. The thermal barrier used within the thimbles is composed of high density, type "E" fibers, fibrous glass heavy-duty insulation. Please apply high-temp silicone caulking where needed.
- Dimensions and specifications may be subject to change without prior notification. Product images are for illustrative purposes only and may differ from the actual product.
- Install per Nett's Installation Instructions.
- Custom applications are available upon request. Please contact Nett Technologies for details.

Thimbles

Combustible Roof Thimbles

Combustible Roof Thimbles						
Mild Steel Part Numbers	Stainless Steel Part Numbers	Pipe/Tube Size	A (Pipe/Tube OD)	B (Width)	C (Height)	D (Square Flashing Size)
TH-RFCB-01000-08000	TH-RSCB-01000-08000	1" Tube	1	10	26	16
TH-RFCB-01315-08000	TH-RSCB-01315-08000	1" Pipe	1.315	12	26	18
TH-RFCB-01500-08000	TH-RSCB-01500-08000	1.5" Tube	1.5	12	26	18
TH-RFCB-02000-08000	TH-RSCB-02000-08000	2" Tube	2	12	26	18
TH-RFCB-02375-08000	TH-RSCB-02375-08000	2" Pipe	2.375	12	26	18
TH-RFCB-02500-08000	TH-RSCB-02500-08000	2.5" Tube	2.5	12	26	18
TH-RFCB-02875-08000	TH-RSCB-02875-08000	2.5" Pipe	2.875	12	26	18
TH-RFCB-03000-08000	TH-RSCB-03000-08000	3" Tube	3	12	26	18
TH-RFCB-03500-08000	TH-RSCB-03500-08000	3" Pipe	3.5	14	26	20
TH-RFCB-04000-08000	TH-RSCB-04000-08000	4" Tube	4	14	26	20
TH-RFCB-04500-08000	TH-RSCB-04500-08000	4" Pipe	4.5	14	26	20
TH-RFCB-05000-08000	TH-RSCB-05000-08000	5" Tube	5	14	26	20
TH-RFCB-05625-08000	TH-RSCB-05625-08000	5" Pipe	5.625	16	26	22
TH-RFCB-06000-08000	TH-RSCB-06000-08000	6" Tube	6	16	26	22
TH-RFCB-06625-08000	TH-RSCB-06625-08000	6" Pipe	6.625	16	26	22
TH-RFCB-08000-08000	TH-RSCB-08000-08000	8" Tube	8	18	26	24
TH-RFCB-08625-08000	TH-RSCB-08625-08000	8" Pipe	8.625	18	26	24
TH-RFCB-10000-08000	TH-RSCB-10000-08000	10" Tube	10	20	26	26
TH-RFCB-10750-08000	TH-RSCB-10750-08000	10" Pipe	10.75	20	26	26
TH-RFCB-12000-08000	TH-RSCB-12000-08000	12" Tube	12	22	26	28
TH-RFCB-12750-08000	TH-RSCB-12750-08000	12" Pipe	12.75	22	26	28
TH-RFCB-14000-08000	TH-RSCB-14000-08000	14" Tube	14	24	26	30
TH-RFCB-16000-08000	TH-RSCB-16000-08000	16" Tube	16	26	26	32
TH-RFCB-18000-08000	TH-RSCB-18000-08000	18" Tube	18	28	26	34



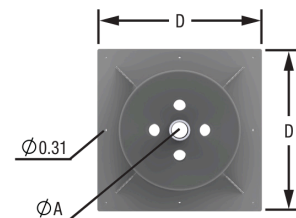
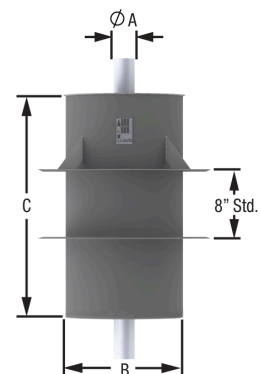
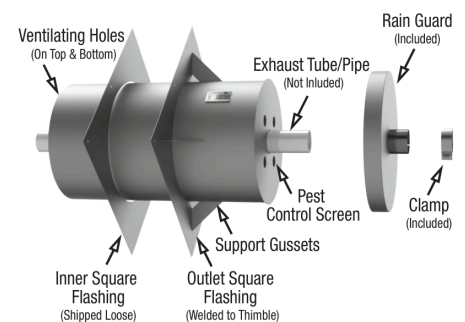
- Select Thimble size based on the material Sch 40 pipe or OD Tubing. All dimensions are in inches.
- When calculating height, thimble must have a 9" clearance on each side of the wall. To prevent warping, outer flashing is not continuously welded.
- Conforms to NFPA 37 and 110, for exhaust gas temperatures below 760° C (1400° F). The above thimbles have been sized for standard (8") thickness walls. Thimbles for other wall thicknesses are available upon request.
- Confirmation of roof pitch is required for all orders. Non-flat roof applications may incur additional charges.
- All thimbles are insulated. The thermal barrier used within the thimbles is composed of high density, type "E" fibers, fibrous glass heavy-duty insulation. Please apply high-temp silicone caulking where needed.
- Dimensions and specifications may be subject to change without prior notification. Product images are for illustrative purposes only and may differ from the actual product.
- Install per Nett's Installation Instructions.
- Custom applications are available upon request. Please contact Nett Technologies for details.

Thimbles

Non-Combustible Roof and Wall Thimbles

These thimbles are only for non-combustible applications where compliance with NFPA 37 is not applicable

Non-Combustible Thimbles						
Mild Steel Part Numbers	Stainless Steel Part Numbers	Pipe/Tube Size	A (Pipe/Tube OD)	B (Width)	C (Height)	D (Square Flashing Size)
TH-WLNC-01000-08000	TH-WSNC-01000-08000	1" Tube	1	8	26	14
TH-WLNC-01315-08000	TH-WSNC-01315-08000	1" Pipe	1.315	8	26	14
TH-WLNC-01500-08000	TH-WSNC-01500-08000	1.5" Tube	1.5	9	26	15
TH-WLNC-02000-08000	TH-WSNC-02000-08000	2" Tube	2	9	26	15
TH-WLNC-02375-08000	TH-WSNC-02375-08000	2" Pipe	2.375	9	26	15
TH-WLNC-02500-08000	TH-WSNC-02500-08000	2.5" Tube	2.5	9	26	15
TH-WLNC-02875-08000	TH-WSNC-02875-08000	2.5" Pipe	2.875	9	26	15
TH-WLNC-03000-08000	TH-WSNC-03000-08000	3" Tube	3	10	26	16
TH-WLNC-03500-08000	TH-WSNC-03500-08000	3" Pipe	3.5	10	26	16
TH-WLNC-04000-08000	TH-WSNC-04000-08000	4" Tube	4	12	26	18
TH-WLNC-04500-08000	TH-WSNC-04500-08000	4" Pipe	4.5	12	26	18
TH-WLNC-05000-08000	TH-WSNC-05000-08000	5" Tube	5	12	26	18
TH-WLNC-05625-08000	TH-WSNC-05625-08000	5" Pipe	5.625	12	26	18
TH-WLNC-06000-08000	TH-WSNC-06000-08000	6" Tube	6	14	26	20
TH-WLNC-06625-08000	TH-WSNC-06625-08000	6" Pipe	6.625	14	26	20
TH-WLNC-08000-08000	TH-WSNC-08000-08000	8" Tube	8	16	26	22
TH-WLNC-08625-08000	TH-WSNC-08625-08000	8" Pipe	8.625	16	26	22
TH-WLNC-10000-08000	TH-WSNC-10000-08000	10" Tube	10	18	26	24
TH-WLNC-10750-08000	TH-WSNC-10750-08000	10" Pipe	10.75	18	26	24
TH-WLNC-12000-08000	TH-WSNC-12000-08000	12" Tube	12	20	26	26
TH-WLNC-12750-08000	TH-WSNC-12750-08000	12" Pipe	12.75	20	26	26
TH-WLNC-14000-08000	TH-WSNC-14000-08000	14" Tube	14	22	26	28
TH-WLNC-16000-08000	TH-WSNC-16000-08000	16" Tube	16	24	26	30
TH-WLNC-18000-08000	TH-WSNC-18000-08000	18" Tube	18	26	26	32



- Select Thimble size based on the material Sch 40 pipe or OD Tubing. All dimensions are in inches.
- When calculating height, thimble must have a 9" clearance on each side of the wall. To prevent warping, outer flashing is not continuously welded.
- The above thimbles have been sized for standard (8") thickness walls. Thimbles for other wall thicknesses are available upon request.
- Confirmation of roof pitch is required for all orders. Non-flat roof applications may incur additional charges.
- All thimbles are insulated. The thermal barrier used within the thimbles is composed of high density, type "E" fibers, fibrous glass heavy-duty insulation. Please apply high-temp silicone caulking where needed.
- Dimensions and specifications may be subject to change without prior notification. Product images are for illustrative purposes only and may differ from the actual product.
- Install per Nett's Installation Instructions.
- Custom applications are available upon request. Please contact Nett Technologies for details.